



SCRUBBER DRYER MACHINE E14

Serial numbers starting from 22452417 (November 2022)



E14 SPARE PARTS MANUAL



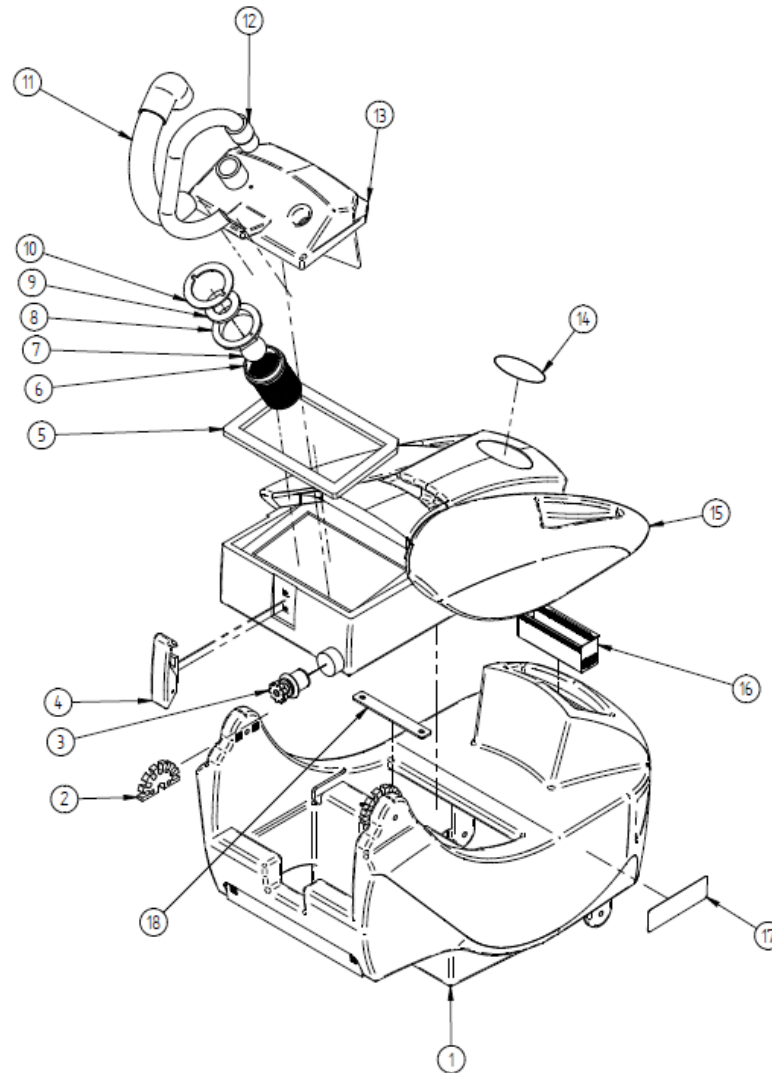
Sommario

1. Serbatoi – Tanks – Réservoirs – Tanken – Tanques	2
2. Linea acqua – Water line – Ligne d'eau – Wasserlinie – Línea agua	4
3. Manubrio (Cavo) – Handle (Cable version) – Guidon (Câble version) – Lenker (Kabel-Version) – Manubrio (Versión cable).....	6
4. Manubrio (Batteria) – Handle (Battery) – Guidon (Batterie) – Lenker (Batterie) – Manubrio (Batería)	8
5. Telaio – Frame – Châssis – Rahmen – Chasis	10
6. Gruppo lavante – Scrubber group - Groupe de lavage – Wäschereinheit – Grupo lavador	12
7. Tergipavimento 430–Squeegee 430 – Tergipavimento 430 – Squeegee 430 – Raclette 430 –Saugfuß 430 – Fregador de suelo 430	14
8. Power and signal wiring E14 (Cable version).....	16
9. Power and signal wiring E14B (Battery version).....	17

MINUTEMAN INTERNATIONAL INC.

14N845 U.S. Route 20
Pingree Grove, Illinois 60140
www.minutemanintl.com

1. Serbatoi – Tanks – Réservoirs – Tanken – Tanques



E14 SPARE PARTS MANUAL

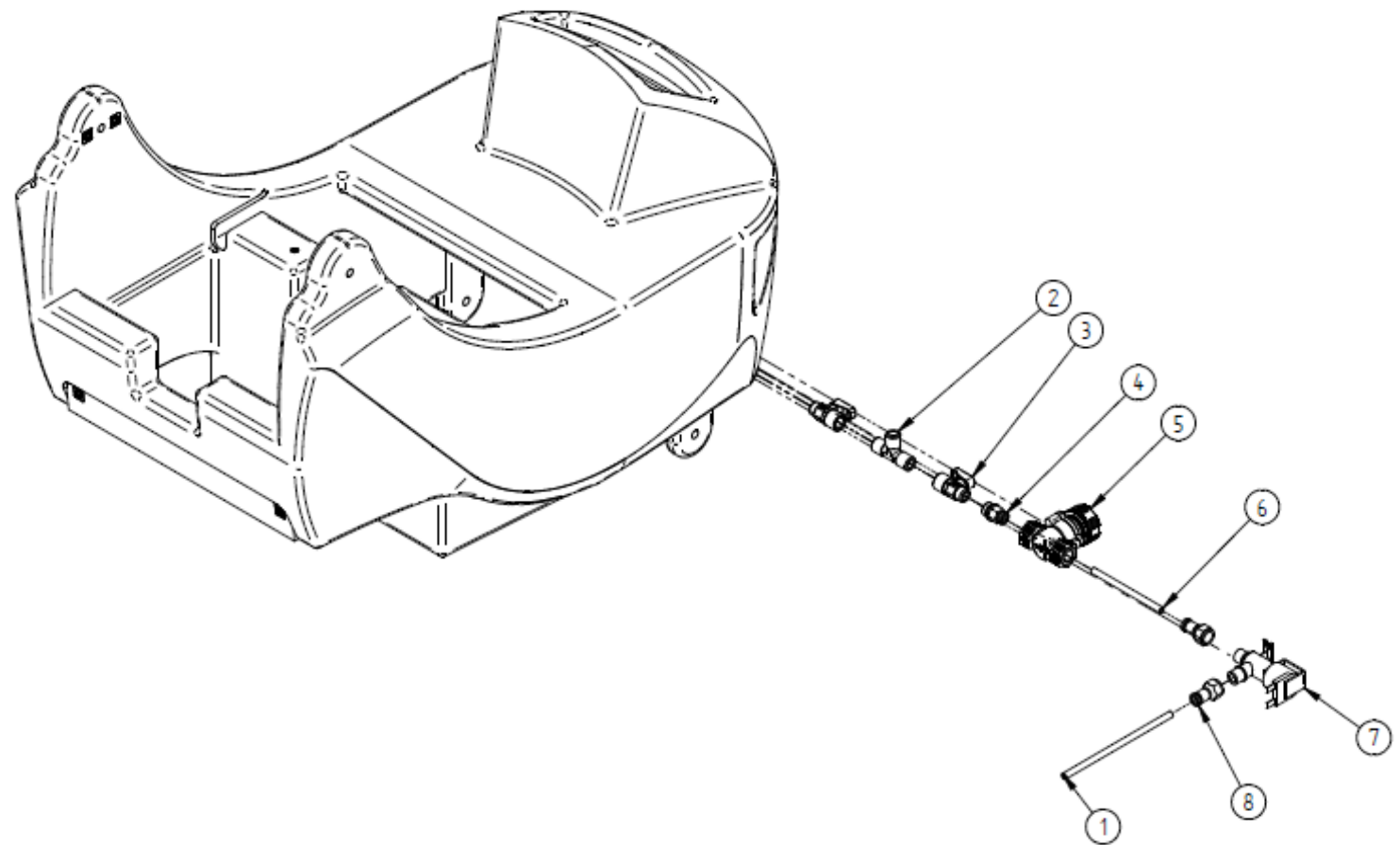


POS.	PART NUMBER	Q.ty	DESCRIZIONE	DENOMINATION	NOMENCLATURE	BEZEICHNUNG	DESCRIPCIÓN
1	2655-0047-1	1	SERBATOIO SOLUZIONE	SOLUTION TANK	RESERVOIR EAU PROPRE	FRISCHWASSERTANK	TANQUE DE SOLUCIÓN
2	2130-0369-4Z	2	FLANGIA GUIDA	HANDLE FLANGE	FLASQUE	FLANSCH	PESTAÑA
3	15-3600-000	1	TAPPO ALLARGABILE	CAP	COUVERCLE	DECKEL	TAPÓN
4	05-0401-002	1	CHIUSURA A LEVA IN PLASTICA	LOCK	ECLUSE	SPANNBÜGEL	CERRADURA
5	2705-0039-3	1	GUARNIZIONE CUPOLINO	BLADE	JOINT	DICHTUNG	JUNTA
6	15-3100-003	1	FILTRO	FILTER	FILTRE	FILTER	FILTRO
7	15-3200-005	1	SFERA GALLEGGIANTE Ø40	LIGHT FLOAT Ø40	LEGER FLOTTEUR Ø40	LEICHT SCHWIMMER Ø40	FLOTADOR LIGERO Ø40
8	15-3351-001	1	GHIERA 2"	RING NUT 2"	EMBOUT 2"	NUTMUTTER 2"	ABRAZADERA 2"
9	2135-0027-0	1	SUPPORTO FILTRO	FILTER 'SUPPORT	SUPPORT DE FLITRE	FILTERHALTERUNG	SOPORTE DE LO FILTRO
10	2705-0041-0	1	GUARNIZIONE 2"	BLADE 2"	JOINT 2"	DICHTUNG 2"	JUNTA 2"
11	2665-0084-3	1	TUBO Ø38	HOSE Ø38	TUYAU Ø38	SCHLAUCH Ø38	TUBO Ø38
12	2665-0081-2	1	TUBO Ø25	HOSE Ø25	TUYAU Ø25	SCHLAUCH Ø25	TUBO Ø25
13	2655-0115-0	1	CUPOLINO	PLASTIC COVER	COUVERTURE EN PLASTIQUE	DECKEL	CUBIERTA
14	8300-0060-0	1	ADESIVO OVALE	OVAL STICKER	ADHÉSIF OVALE	OVALE AUFKLEBER	ADHESIVO OVALO
15	2655-0114-0	1	SERBATOIO RECUPERO	RECOVERY TANK	RESERVOIR EAU SALE	SCHMUTZWASSERTANK	TANQUE DE RECUPERACIÓN
16	2321-0005-1	1	FILTRO CARICO ACQUA	FILLING WATER FILTER	FILTRE CHARGEMENT EAU	FÜLLENDES WASSER FILTER	FILTRO CARGA AGUA
17	8300-0091-0	2	ADESIVO	STICKER	ADHÉSIF	AUFKLEBER	ADHESIVO
18	2260-0087-1	1	TUBO USCITA ELETTROVALVOLA	WATER PIPE (OUTLET SOLENOID)	TUYAU (SORTIE SOLENOIDE)	SCHLAUCH (AUSGANG SOLENOID)	TUBO (SALIDA ELECTROVÁLVULA)

MINUTEMAN INTERNATIONAL INC.

14N845 U.S. Route 20
Pingree Grove, Illinois 60140
www.minutemanintl.com

2. Linea acqua – Water line – Ligne d'eau – Wasserlinie – Línea agua



E14 SPARE PARTS MANUAL

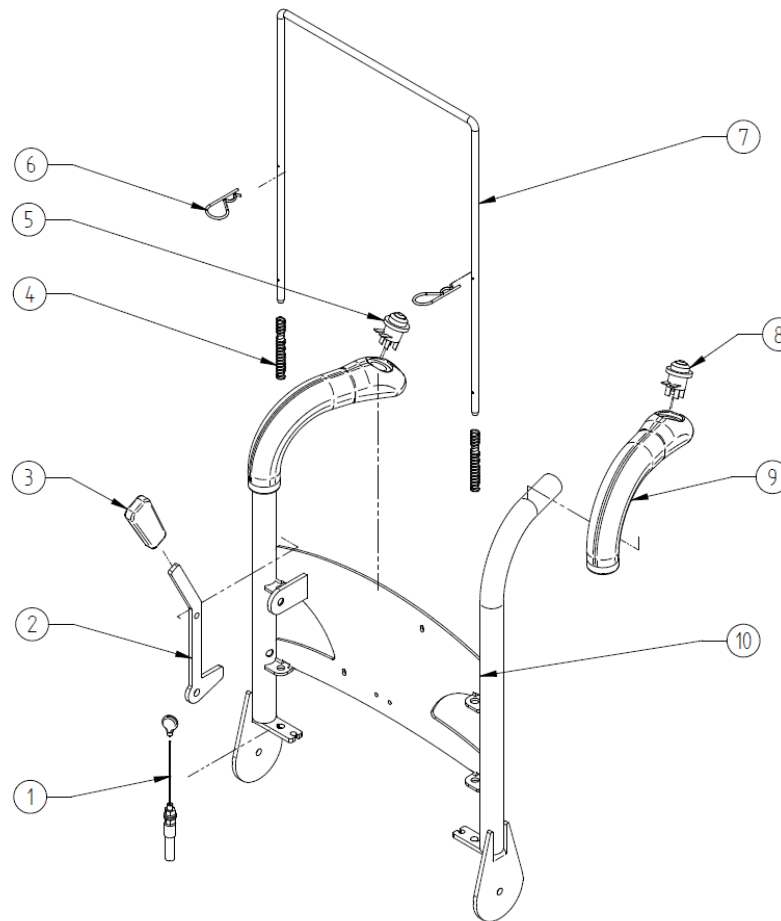


POS.	PART NUMBER	Q.ty	DESCRIZIONE	DENOMINATION	NOMENCLATURE	BEZEICHNUNG	DESCRIPCIÓN
1	2665-0087-0	1	TUBO USCITA ELETTROVALVOLA	WATER PIPE (OUTLET SOLENOID)	TUYAU (SORTIE SOLENOIDE)	SCHLAUCH (AUSGANG SOLENOID)	TUBO (SALIDA ELECTROVÁLVULA)
2	15-3333-000	1	RACCORDO A T 1/4"	T-CONNECTOR 1/4"	T-RACCORD 1/4"	T-VERSCHRABUNG 1/4"	T-CONECTOR 1/4"
3	15-3500-002	2	VALVOLA M - F	COCK M - F	ROBINET M - F	WASSERHAHN M - W	GRIFO M - F
4	15-3363-002	1	RACCORDO DRITTO M/M Ø6	STRAIGHT CONNECTOR M/M Ø6	RACCORD DROITE M/M Ø6	VERSCHRABUNG M/M Ø6	CONECTOR RECTO M/M Ø6
5	15-3100-008	1	FILTRO SERBATOIO ACQUA PULITA 1/4" F-F	SOLUTION TANK FILTER 1/4" F- F	FILTRE RÉSERVOIR EAU PROPRE 1/4" F-F	FRISCHWASSERTANK FILTER 1/4" F-F	FILTRE TANQUE DE SOLUCIÓN 1/4" F-F
6	2665-0086-0	1	TUBO ENTRATA ELETTROVALVOLA	WATER PIPE (INLET SOLENOID)	TUYAU (ENTRÉE SOLENOIDE)	SCHLAUCH (EINGANG SOLENOID)	TUBO (ENTRADA ELECTROVÁLVULA)
7	4053-0120-0 (Cable version)	1	ELETTROVALVOLA 220V	SOLENOID 220V	ROBINET 220V	MAGNETVENTIL 220V	SOLENOIDE 220V
7	15-3511-008 (Battery version)	1	ELETTROVALVOLA 12V	SOLENOID 12V	ROBINET 12V	MAGNETVENTIL 12V	SOLENOIDE 12V
8	15-3363-004	2	RACCORDO DRITTO F/M Ø6	STRAIGHT CONNECTOR F/M Ø6	RACCORD DROITE F/M Ø6	VERSCHRABUNG F/M Ø6	CONECTOR RECTO F/M Ø6

MINUTEMAN INTERNATIONAL INC.

14N845 U.S. Route 20
Pingree Grove, Illinois 60140
www.minutemanintl.com

3. Manubrio (Cavo) – Handle (Cable version) – Guidon (Câble version) – Lenker (Kabel-Version) – Manubrio (Versión cable)



E14 SPARE PARTS MANUAL

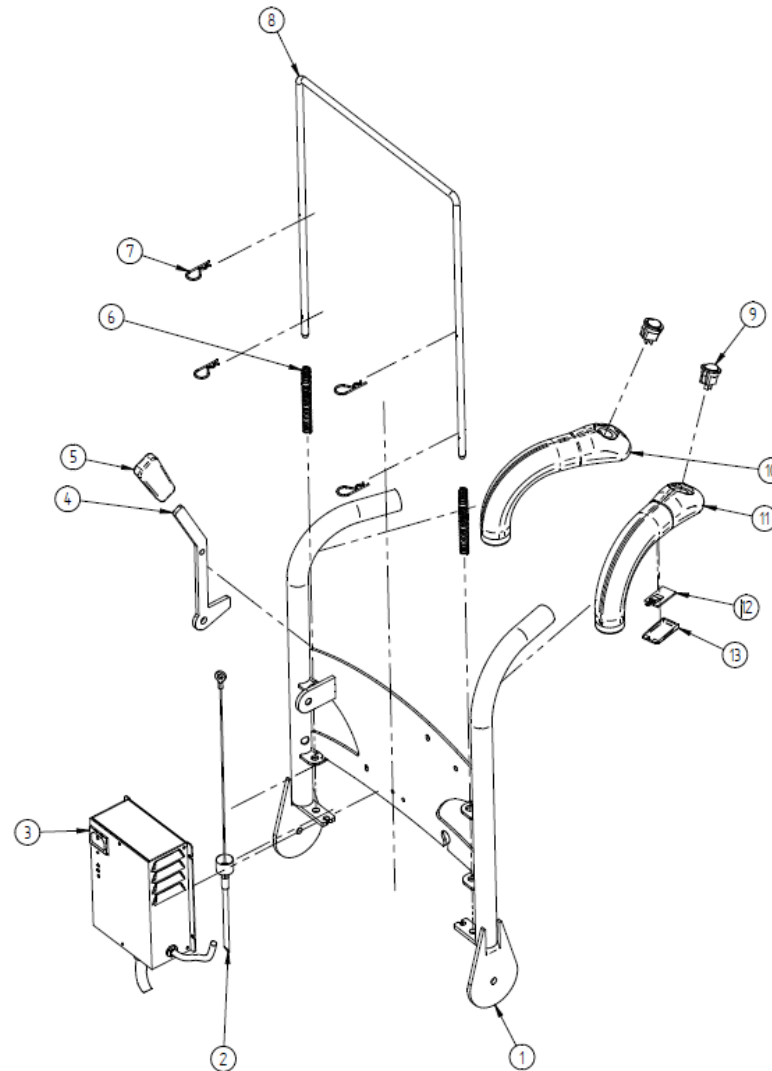


POS.	PART NUMBER	Q.ty	DESCRIZIONE	DENOMINATION	NOMENCLATURE	BEZEICHNUNG	DESCRIPCIÓN
1	3070-0021-2	1	FUNE Ø1,5 CON DOPPIA BOCCOLA	CABLE Ø1,5 WITH DOUBLE BUSHING	CÂBLE Ø1,5 AVEC DOUBLER BAGUE	KABEL Ø1,5 MIT DOPPEL-BUCHSE	CABLE Ø1,5 CON DOBLE CASQUILLO
2	2020-0062-0E	1	LEVA SOLLEVAMENTO TERGI	LEVER	LEVIER	HEBEL	PALANCA
3	15-0202-002	1	MANOPOLA ROSSA 5 MM	RED KNOB 5 MM	ROUGE POIGNEE 5 MM	ROT HANDGRIFF 5 MM	MANDO ROJO 5 MM
4	15-2030-001	2	MOLLA DI COMPRESSIONE Ø11	SPRING Ø11	RESSORT Ø11	FEDER Ø11	RESORTE Ø11
5	4053-0112-0	1	PULSANTE STABILE CABLATO	WIRED STABLE SWITCH	INTERRUPTEUR CÂBLÉE STABLE	VERKABELT STABIL SCHALTER	INTERRUPTOR ESTABLE CABLEADO
6	10-4500-000	4	COPIGLIA A "R" M 1,8	SPLIT PIN M 1,8	GOUPILLE M 1,8	SPLINT M 1,8	PERNO M 1,8
7	2020-0045-2Z	1	LEVA SGANCIO MANUBRIO	LEVER	LEVIER	HEBEL	PALANCA
8	4053-0113-0	1	PULSANTE INSTABILE CABLATO	WIRED UNSTABLE SWITCH	INTERRUPTEUR CÂBLÉE INSTABLE	VERKABELT INSTABIL SCHALTER	INTERRUPTOR INESTABLE CABLEADO
9	2385-0005-0	2	IMPUGNATURA	HANDGRIP	POIGNÉE	BEHANDELN	HANDLE
10	3290-0006-0E	1	MANUBRIO	HANDLE	GUIDON	HANDGRIFF	MANUBRIO

MINUTEMAN INTERNATIONAL INC.

14N845 U.S. Route 20
Pingree Grove, Illinois 60140
www.minutemanintl.com

4. Manubrio (Batteria) – Handle (Battery) – Guidon (Batterie) – Lenker (Batterie) – Manubrio (Batería)



E14 SPARE PARTS MANUAL

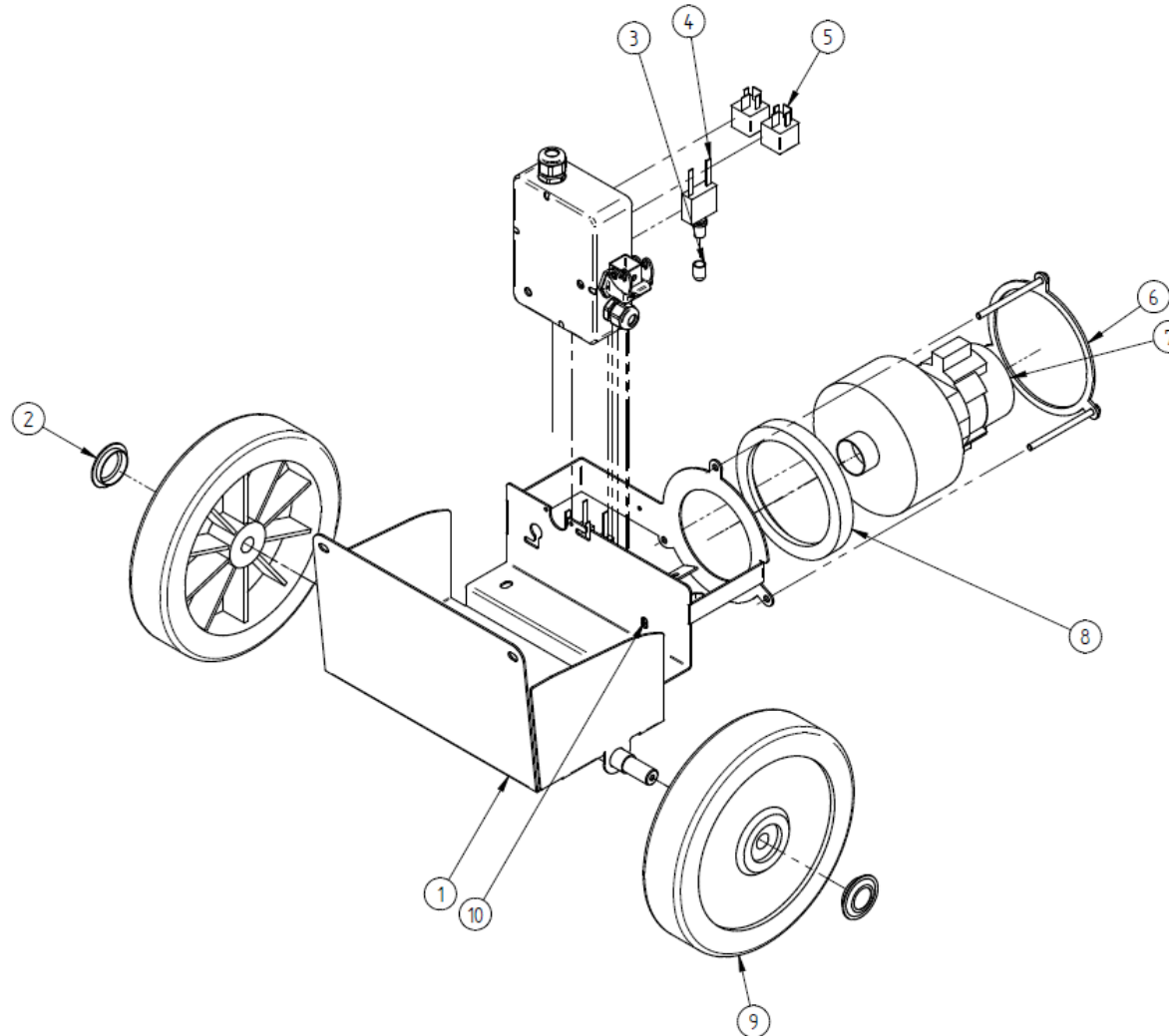


POS.	PART NUMBER	Q.ty	DESCRIZIONE	DENOMINATION	NOMENCLATURE	BEZEICHNUNG	DESCRIPCIÓN
1	3290-0006-2E	1	MANUBRIO	HANDLE	GUIDON	HANDGRIFF	MANUBRIO
2	3070-0021-2	1	FUNE Ø1,5 CON DOPPIA BOCCOLA	CABLE Ø1,5 WITH DOUBLE BUSHING	CÂBLE Ø1,5 AVEC DOUBLER BAGUE	KABEL Ø1,5 MIT DOPPEL-BUCHSE	CABLE Ø1,5 CON DOBLE CASQUILLO
3	18-0027-000	1	CARICA BATTERIE 12V 8A	BATTERY CHARGER 12V 8A	CHARGEUR DE BATTERIE 12V 8A	LADEGERÄT 12V 8A	CARGADOR DE BATERÍAS 12V 8A
4	2020-0062-0	1	LEVA SOLLEVAMENTO TERGI	LEVER	LEVIER	HEBEL	PALANCA
5	15-0202-002	1	MANOPOLA ROSSA 5 MM	RED KNOB 5 MM	ROUGE POIGNEE 5 MM	ROT HANDGRIFF 5 MM	MANDO ROJO 5 MM
6	15-2030-001	2	MOLLA DI COMPRESSIONE Ø11	SPRING Ø11	RESSORT Ø11	FEDER Ø11	RESORTE Ø11
7	10-4500-000	4	COPIGLIA A "R" M 1,8	SPLIT PIN M 1,8	GOUPILLE M 1,8	SPLINT M 1,8	PERNO M 1,8
8	2020-0045-2Z	1	LEVA SGANCIO MANUBRIO	LEVER	LEVIER	HEBEL	PALANCA
9	15-0112-041	2	PULSANTE STABILE CABLATO	WIRED STABLE SWITCH	INTERRUPTEUR CÂBLÉE STABLE	VERKABELT STABIL SCHALTER	INTERRUPTOR ESTABLE CABLEADO
10	2385-0005-0	1	IMPUGNATURA	HANDGRIP	POIGNÉE	BEHANDELN	HANDLE
11	2385-0010-0	1	IMPUGNATURA TOUCH	TOUCH HANDGRIP	POIGNÉE TACTILE	TOUCH-HANDGRIFF	AGARRE TACTIL
12	15-0122-000	1	SENSORE TOUCH	TOUCH SENSOR	SENSEUR TACTILE	BERÜHRUNGSSENSOR	SENSOR TACTIL
13	2135-0040-0	1	SUPPORTO TOUCH	TOUCH SUPPORT	SUPPORT TACTILE	TOUCH-UNTERSTÜTZUNG	SOPORTE TÁCTIL

MINUTEMAN INTERNATIONAL INC.

14N845 U.S. Route 20
Pingree Grove, Illinois 60140
www.minutemanintl.com

5. Telaio – Frame – Châssis – Rahmen – Chasis



E14 SPARE PARTS MANUAL



POS.	PART NUMBER	Q.ty	DESCRIZIONE	DENOMINATION	NOMENCLATURE	BEZEICHNUNG	DESCRIPCIÓN
1	3130-0100-2E	1	BASAMENTO	BASE	BASE	UNTERSEITE	BASE
2	15-1301-012	2	COPRIMOZZO GRIGIO ANTRACITE GOFFRATO	GREY ANTHRACITE WHEEL COVER	GRIS ANTHRACITE COUVERTURE ROUE	GRAU ANTHRAZIT RADDECKEL	CUBIERTA GRIS ANTRACITA
3	14-0009-051	3	CAPPUCCIO DI PROTEZIONE TERMICA	COVER FOR TERMICAL SWITCH	COUVERTURE	SCHUTZDECKER	CUBIERTA DE PROTECCIÓN
4	14-0009-132	3	TERMICA 30A	TERMICAL SWITCH 30A	PROTECTION THERMIQUE 30A	ÜBERSTROMSCHUTZ-SCHALTER 30A	PROTECCIÓN TÉRMICA 30A
5	14-9903-001	2	RELE' 12 V	RELAY 12V	RELAIS 1 2V	RELAIS 12 V	RELÉ 12 V
6	3130-0101-0Z	1	SUPPORTO ASPIRATORE	VACUUM SUPPORT	SUPPORT ASPIRATEUR	ABSAUGER HALTERUNG	SOPORTE ASPIRADOR
7	13-1100-000 (Battery version)	1	MOTOASPIRATORE 12V 200W	VACUUM MOTOR 12V 200W	MOTEUR D'ASPIRATION 12V 200W	ABSAUGMOTOR 12V 200W	MOTOR DE ASPIRACIÓN 12V 200W
8	15-3020-000	1	GUARNIZIONE STAMPATA IN GOMMA	RUBBER PRINTED GASKET	IMPRIMES JOINT CAOUTCHOUC	GEDRUCKT DICHTUNG VON GUMMI	JUNTA IMPRESA DE GOMA
9	12-0000-008	2	RUOTA DI SCORRIMENTO FOLLE Ø250	WHEEL Ø250	ROUE Ø250	RAD Ø250	RUEDA Ø250
10	15-0301-002	1	FORCELLA ELASTICA 3 FORI	3 HOLES ELASTIC FORK	CHAPPE ÉLASTIQUE AVEC 3 TROUS	3 LOÉCHER ELASTISCHE GABEL	HORQUILLA ELASTICA CON 3 AGUIEROS

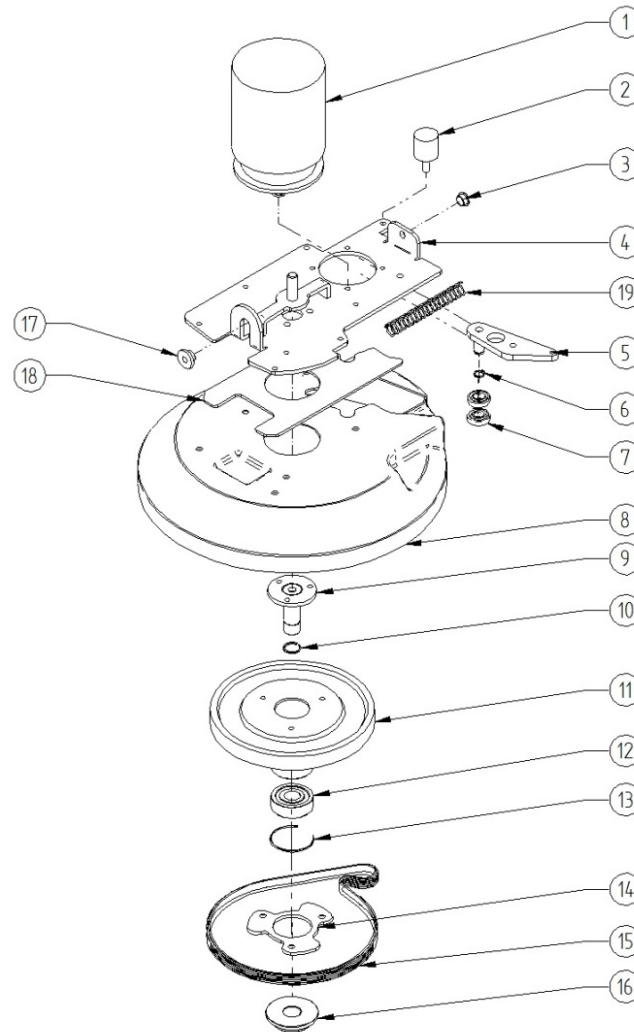
Varianti nella versione a cavo / Variants in the cable version / Variantes en version câble / Varianten in der Kabelversion / Variantes en la versión de cable

3	14-0009-051	2	CAPPUCCIO DI PROTEZIONE TERMICA	COVER FOR TERMICAL SWITCH	COUVERTURE	SCHUTZDECKER	CUBIERTA DE PROTECCIÓN
4	14-0009-030	1	TERMICA 3A	TERMICAL SWITCH 3A	PROTECTION THERMIQUE 3A	ÜBERSTROMSCHUTZ-SCHALTER 3A	PROTECCIÓN TÉRMICA 3A
4	14-0009-080	1	TERMICA 8A	TERMICAL SWITCH 8A	PROTECTION THERMIQUE 8A	ÜBERSTROMSCHUTZ-SCHALTER 8A	PROTECCIÓN TÉRMICA 8A
5	14-9903-001	0	RELE' 12 V	RELAY 12V	RELAIS 1 2V	RELAIS 12 V	RELÉ 12 V
7	13-1110-003 (Cable version)	1	MOTOASPIRATORE 220V 250W	VACUUM MOTOR 220V 250W	MOTEUR D'ASPIRATION 220V 250W	ABSAUGMOTOR 220V 250W	MOTOR DE ASPIRACIÓN 220V 250W

MINUTEMAN INTERNATIONAL INC.

14N845 U.S. Route 20
Pingree Grove, Illinois 60140
www.minutemanintl.com

6. Gruppo lavante – Scrubber group - Groupe de lavage – Wäschereinheit – Grupo lavador



MINUTEMAN INTERNATIONAL INC.
14N845 U.S. Route 20
Pingree Grove, Illinois 60140
www.minutemanintl.com

E14 SPARE PARTS MANUAL



POS.	PART NUMBER	Q.ty	DESCRIZIONE	DENOMINATION	NOMENCLATURE	BEZEICHNUNG	DESCRIPCIÓN
1	13-0100-003 (Cable version)	1	MOTORE SPAZZOLE 220V 250W	BRUSH MOTOR 220V 250W	MOTEUR BROSE 220V 250W	BURSTE MOTOR 220V 250W	MOTOR CEPILLOS 220V 250W
1	13-0000-003 (Battery version)	1	MOTORE SPAZZOLE 12V 250W	BRUSH MOTOR 12V 250W	MOTEUR BROSE 12V 250W	BURSTE MOTOR 12V 250W	MOTOR CEPILLOS 12V 250W
2	15-2011-000	1	AMMORTIZZATORE M8 30X30	SILENT BLOCK M8 30X30	SUPPORT ANTI-VIBRATOIRE M8 30X30	DÄMPFER M8 30X30	AMORTIGUADOR M8 30X30
3	11-0110-000	1	BOCCOLA Ø8 AUTOLUBRIFICANTE	BUSHING Ø8	BAGUE Ø8	BUCHSE Ø 8	CASQUILLO Ø 8
4	3130-0111-0Z	1	SUPPORTO MOTORE SPAZZOLE	BRUSH MOTOR SUPPORT	SUPPORT MOTEUR BROSE	BURSTE MOTOR HALTERUNG	SOPORTE MOTOR CEPILLOS
5	3200-0005-0Z	1	TENDICINGHIA	BELT TIGHTENER	TENDEUR DE COURROIE	RIEMENSPANNER	TENSOR CORREA
6	10-4800-012	1	SEEGER M 12	SEEGER RING M 12	SERRE CLIP M 12	SEEGERRING M 12	ANILLO SEEGER M 12
7	11-1020-001	2	CUSCINETTO VOLVENTE A SFERE Ø12	BEARING Ø12	ROULEMENT Ø12	LAGER Ø12	COJNETE Ø12
8	2365-0052-1	1	COPERTURA SPAZZOLA	BRUSH COVER	COUVERCLE DE BROSE	BÜRSTEDECKEL	CUBIERTA CEPILLO
9	3401-0002-0	1	ASSE PULEGGIA INOX	STAINLESS STEEL PULLEY AXIS	AXE DE POULIE EN ACIER INOX	EDELSTAHL RIEMENSCHIEBE ACHSE	EJE DE LA POLEA INOX
10	10-4800-020	1	SEEGER Ø20 INOX	STAINLESS STEEL SEEGER RING Ø20	ANNEAU ÉLASTIQUE Ø20 EN ACIER INOX	EDESTAHL SEGERRING Ø20	ANILLO ELÁSTICO Ø20 EN ACERO INOX
11	4435-0000-0	1	PULEGGIA CONDOTTA	PULLEY	POULIE	SCHIEBE	POLEA
12	11-1020-002	2	CUSCINETTO VOLVENTE A SFERE Ø20	BEARING Ø20	ROULEMENT Ø20	LAGER Ø20	COJINETE Ø20
13	10-4800-152	1	SEEGER M 52	SEEGER RING M 52	SERRE CLIP M 52	SEEGERRING M 52	SEEGER M 52
14	2451-0001-0	1	DISCO GUIDA WIRBEL	GUIDING PLATE	DISQUE GUIDE	LEITPLATTE	DISCO
15	2485-0000-0	1	CINGHIA POLY V	BELT	COURROIE	RIEMEN	CORREA
16	2225-0010-0	1	MOZZO SPAZZOLA	BRUSH HUB	MOYEU BROSE	BÜRSTE NABE	CONCENTRADOR CEPILLO
17	2224-0001-1	1	BOCCOLA TESTATA	BRUSH BASE BUSHING	BAGUE	BUCHSE	CASQUILLO
18	2705-0053-0	1	GUARNIZIONE PER COPERTURA SPAZZOLA	GASKET BRUSH COVER	JOINT COUVERTURE BROSE	DICHTUNG BÜRSTENABDECKUNG	JUNTA COBERTURA CEPILLO
19	15-2020-000	1	MOLLA Ø1,8	SPRING Ø1,8	RESSORT Ø1,8	FEDER Ø1,8	RESORTE Ø1,8

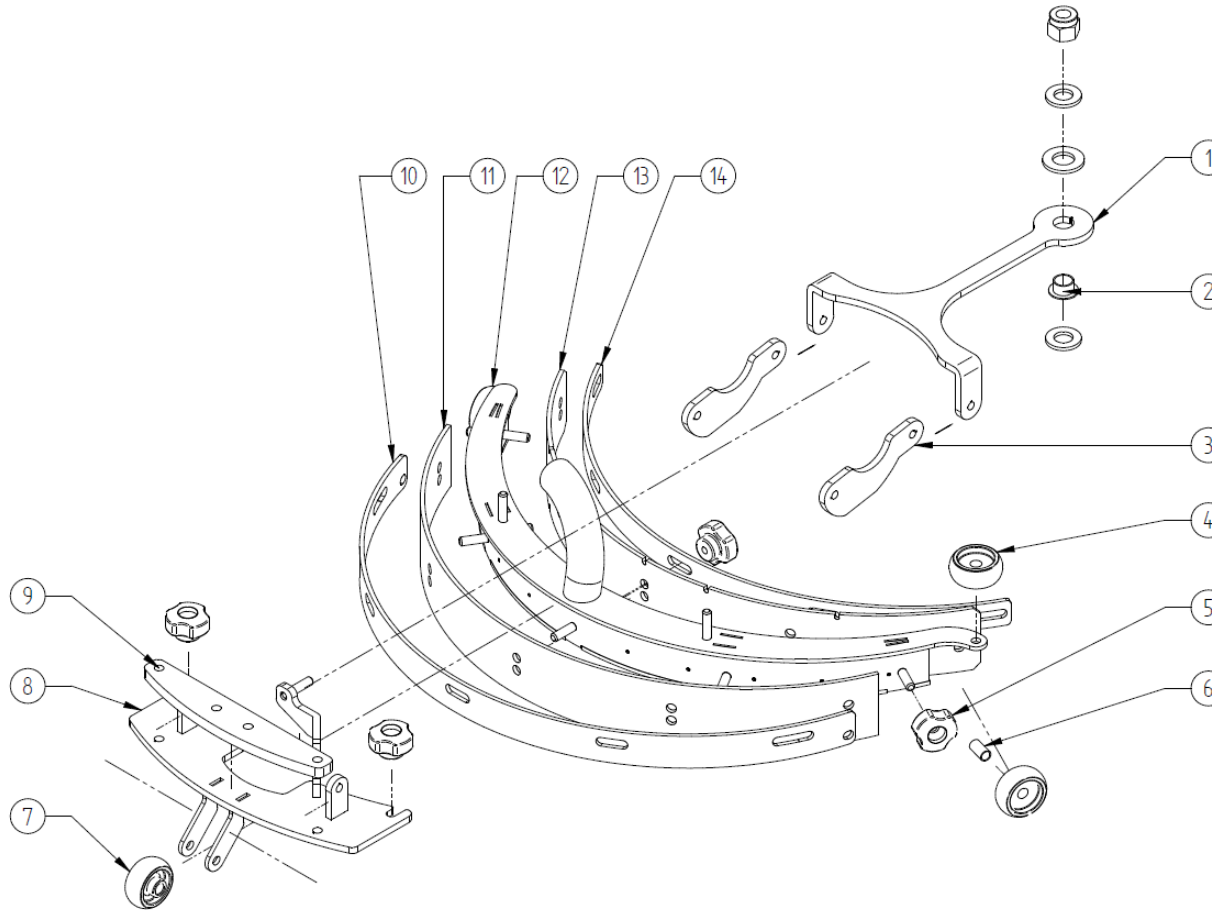
MINUTEMAN INTERNATIONAL INC.

14N845 U.S. Route 20
Pingree Grove, Illinois 60140
www.minutemanintl.com

E14 SPARE PARTS MANUAL



7. Tergipavimento 430–Squeegee 430 – Tergipavimento 430 – Squeegee 430 – Raclette 430 –Saugfuß 430 – Fregador de suelo 430



E14 SPARE PARTS MANUAL



POS.	PART NUMBER	Q.ty	DESCRIZIONE	DENOMINATION	NOMENCLATURE	BEZEICHNUNG	DESCRIPCIÓN
1	2610-0041-0Z	1	1° TIRANTE TERGIPAVIMENTO	1° ARM SQUEEGEE	1ER BRAS	1.DÜSENARM	1° TIRANTE
2	11-0110-004	1	BOCCOLA Ø12 AUTOLUBRIFICANTE	BUSHING Ø12	BAGUE Ø12	BUCHSE Ø12	CASQUILLO Ø12
3	2280-0024-0Z	2	BRACCETTO TERGIPAVIMENTO	ARM SQUEEGEE	BRAS	ARM	ARM
4	2395-0003-0	3	RUOTA TERGI	SQUEEGEE 'WHEEL	ROUE DE SUCEUR	SAUGFUSSESRAD	RUEDA DE LO FREGASUELO
5	10-6203-001	12	VOLANTINO M 6 FORO PASSANTE	OPEN M 6 HANDWHEEL	VOLANT M 6 OUVERT	DREHGRIF M 6 GEÖFFNET	PALOMETA M 6 ABIERTO
6	2220-0028-0	3	DISTANZIALE RUOTA	WHEEL SPACER	ROUE EPART	RAD STREBE	BARRA DE LA RUEDA
7	12-0000-010	1	RUOTA DI SCORRIMENTO FOLLE Ø36x15	TRACTION WHEEL Ø36 X 15	ROUE Ø36 X 15	RAD Ø36 X 15	RUEDA Ø36 X 15
8	3610-0021-0Z	1	2° TIRANTE TERGI	2° ARM SQUEEGEE	2IEME BRAS	2° DÜSENARM	2° TIRANTE
9	2120-0033-1Z	2	ZAVORRA POSTERIORE	BALLAST	LEST	DROSSEL	LASTRE
10	2260-0068-3Z	1	FERMO GUARNIZIONE	RETAINER SEAL	PLAQUETTE	LEISTE	CERRADURA
11	2705-0047-0	1	GUARNIZIONE EST. 430 - 3	BLADE 430 - 3	JOINT 430 - 3	DICHTUNG 430 - 3	JUNTA 430 - 3
12	3920-0039-0E	1	TERGIPAVIMENTO 430	SQUEEGEE 430	SUCEUR 430	SAUGFUSS 430	FREGASUELO 430
13	2705-0035-5	1	GUARNIZIONE INT. 430 - 2	BLADE 430 - 2	JOINT 430 - 2	DICHTUNG 430 - 2	JUNTA 430 - 2
14	2260-0069-0Z	1	FERMO GUARNIZIONE	RETAINER SEAL	PLAQUETTE	LEISTE	CERRADURA

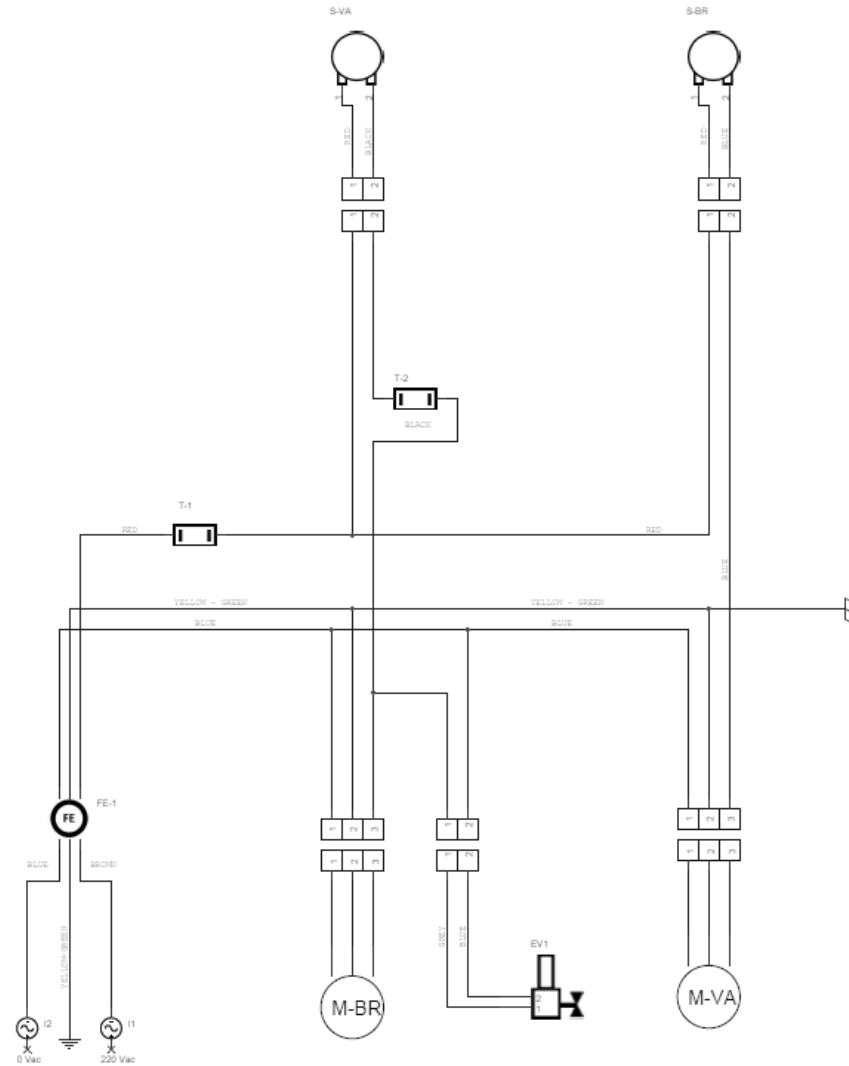
MINUTEMAN INTERNATIONAL INC.

14N845 U.S. Route 20
Pingree Grove, Illinois 60140
www.minutemanintl.com

E14 SPARE PARTS MANUAL

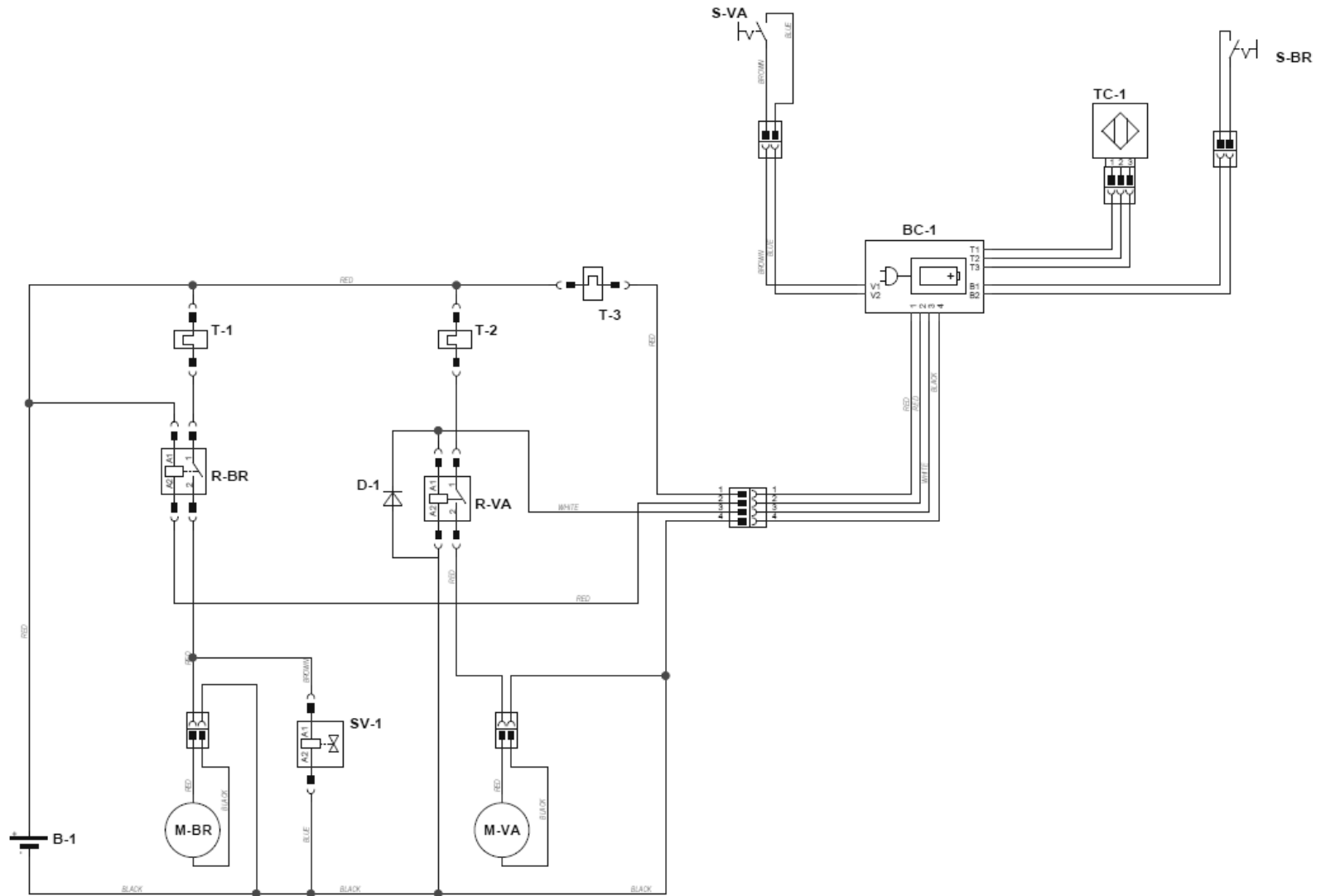


8. Power and signal wiring E14 (Cable version)



MINUTEMAN INTERNATIONAL INC.
 14N845 U.S. Route 20
 Pingree Grove, Illinois 60140
 www.minutemanintl.com

9. Power and signal wiring E14B (Battery version)



E14 SPARE PARTS MANUAL



Le descrizioni contenute nella presente pubblicazione non si intendono impegnative. La Ditta pertanto si riserva il diritto di apportare in qualunque momento le eventuali modifiche ad organi, dettagli, forniture di accessori, che essa ritiene convenienti per un miglioramento o per qualsiasi esigenza di carattere costruttivo o commerciale.

La riproduzione anche parziale dei testi e dei disegni contenuti nel presente catalogo è vietata ai sensi di legge.

The descriptions and illustrations contained in the present publication are understood to be non-binding. The Manufacturer thus reserves the rights to effect, at any time, any such alterations to items, component parts and accessory supplies as it may deem necessary for the purposes of improvement or in order to meet any demand of constructional or commercial nature.

Reproduction of either text or drawings, in full or in part, is expressly forbidden.

Les descriptions et les illustrations contenues dans la présente publication n'engagent pas le constructeur. Le Fabricant se réserve le droit de modifier à tout moment les organes, détails et fournitures d'accessoires nécessaires à une amélioration technique ou commerciale des machines.

La reproduction même partielle des textes et illustrations contenus dans ce catalogue est illégale, tout contrairement elle pourra être pénalement poursuivie.

Die in dieser Anleitung enthaltenen Beschreibungen und Abbildungen sind unverbindlich. Die Firma behält sich das Recht vor, eventuelle Änderungen an Elementen, Einzelteilen und Lieferungen von Zubehörteilen ohne Ankündigung vorzunehmen, welche sich im Hinblick auf konstruktive Verbesserungen ergeben.

Der Nachdruck der Texte und Zeichnungen, die in diesem Katalog enthalten sind, auch teilweise, ist laut Gesetz untersagt.

Las descripciones contenidas en esa publicación no son vinculantes. Por consiguiente la Empresa se reserva el derecho de modificar eventualmente en cualquier momento las piezas, los detalles y los suministros de piezas de repuesto, de la manera que considera útil para lograr mejoras o por cualquier exigencia de tipo constructivo o comercial.

La reproducción aún parcial de los textos y de los dibujos contenidos en este catálogo queda prohibida con arreglo a la ley.

MINUTEMAN INTERNATIONAL INC.

14N845 U.S. Route 20
Pingree Grove, Illinois 60140
www.minutemanintl.com

E14 SPARE PARTS MANUAL



Minuteman International Made Simple Commercial Limited Warranty

REVISION P EFFECTIVE 30/11/2022

Minuteman International, Inc. warrants to the original purchaser/user that the product is free from defects in workmanship and materials under normal use. Minuteman will, at its option, repair or replace without charge, parts that fail under normal use and service when operated and maintained in accordance with the applicable operation and instruction manuals. All warranty claims must be submitted through and approved by factory authorized repair stations.

This warranty does not apply to normal wear, or to items whose life is dependent on their use and care, such as belts, cords, switches, hoses, rubber parts, brushes, electrical motor components or adjustments. Parts manufactured by Minuteman are covered by and subject to the warranties and/or guarantees of their manufacturers. Please contact Minuteman for procedures in warranty claims against these manufacturers.

Special warning to purchaser -- Use of replacement filters and/or pre-filters not manufactured by Minuteman or its designated licensees, will void all warranties expressed or implied. A potential health hazard exists without original equipment replacement.

All warranted items become the sole property of Minuteman or its original manufacturer, whichever the case may be.

Minuteman disclaims any implied warranty, including the warranty of merchantability and the warranty of fitness for a particular purpose. Minuteman assumes no responsibility for any special, incidental or consequential damages.

This limited warranty is applicable only in the U.S.A. and Canada, and is extended only to the original user/purchaser of this product. Customers outside the U.S.A. and Canada should contact their local distributor for export warranty policies. Minuteman is not responsible for costs or repairs performed by persons other than those specifically authorized by Minuteman. This warranty does not apply to damage from transportation, alterations by unauthorized persons, misuse or abuse of the equipment, use of non-compatible chemicals, or damage to property, or loss of income due to malfunctions of the product.

If a difficulty develops with this machine, you should contact the dealer from whom it was purchased.

This warranty gives you specific legal rights, and you may have other rights which vary from state to state. Some states do not allow the exclusion or limitation of special, incidental or consequential damages, or limitations on how long an implied warranty lasts, so the above exclusions and limitations may not apply to you.

MINUTEMAN INTERNATIONAL INC.

14N845 U.S. Route 20
Pingree Grove, Illinois 60140
www.minutemanintl.com

E14 SPARE PARTS MANUAL



Model	Parts	Labor	Poly	Travel**
Cord Electric Group	5yrs	3yrs	12yrs	90 days
Battery Auto Scrubbers (incl. on board charger)	5yrs	3yrs	12yrs	90 days
Battery and Manual Sweepers	3yrs	3yrs	12yrs	90 days

Exceptions.....

Model	Parts	Labor	Poly	Travel**
Port A Scrub, all models (incl. on board charger)	1yr	6months	12yrs	90 days
A3S Blower	1yr	1yr	0	0
Phenom Dual Motor Upright Vacuums	2yrs	2yrs	0	0
Explosion Proof Vacuum	1yr	1yr	0	0
Propane Burnisher	1yr	1yr	0	90 days
E14BQP and E14115 scrubber	1yr	1yr	12yrs	90 days
**Travel, 2 hours max				

<i>Stand-alone Battery Chargers:</i>	One year
<i>Replacement Parts:</i>	Ninety days
<i>Batteries:</i>	0-3 months full replacement, 4-12 months pro-rate
<i>Polypropylene Plastic Tanks:</i>	12yr warranty, no additional labor

MINUTEMAN INTERNATIONAL INC.

14N845 U.S. Route 20
Pingree Grove, Illinois 60140
www.minutemanintl.com

